

The Oz Trampolines Sound Bounce is a portable bluetooth speaker that allows for easy listening of all your favourite songs from the comfort of your trampoline. The perfect trampoline accessory; this weatherproof speaker syncs easily to your phone and has a detachable tail which can be looped, twisted and gripped, a suction cup and an elastic mounting clip for many mounting options.

Product Inventory

Please check when opening your box that you have:

- 1 x Weatherproof Bluetooth Speaker
- 1 x Audio & Micro USB Charging Cable
- 1 x Elastic mounting clip
- 1 x User Guideline

Bluetooth Mode Playing

To enjoy the Oz Trampolines Sound Bounce, sync it to your phone for hours of music enjoyment.

How to Guide

- Press the Power On/Off key for 3 seconds, the shining blue LED indicates that the speaker is ready for pairing/syncing-connection.
- Choose a song and press play in your music section.
- Next go to settings /Bluetooth in your phone and choose the bluetooth name OZ Trampoline. Press connect. You will then hear 'pairing successfully', and the song you have chosen should sync and play through your sound bounce speakers.
- Change Song: To skip or change the song press the + or – symbols.
- Volume: To change the volume hold down the + or – symbols. To turn off hold the Power On/Off key for 3 seconds.
- To listen to the Sound Bounce on other devices insert the cord to your device and insert the usb into your computer or device for easy listening.
- To turn the Sound bounce off, hold down the Power On/Off key for 5 seconds.
- To Charge your speaker- insert the cord from your sound bounce to a computer, when charging the LED indicator will change to red.
- Please note that the speaker will only work within distances of 10 metres or less.

Base Options

Option 1: Detachable screw in Tail which can be looped, twisted and gripped.

To hang the sound bounce using the tail, please refer to the front page page photo. Secure the elastic tie by piercing the trampoline netting and threading the elastic tie through, then securing with a closure. Please note that piercing the netting does not create holes or void warranty on the net, the netting has been designed for this purpose.

Option 2. Detachable screw in suction cup for a secure alternative.

Specifications

- Specifications:
- Bluetooth 3.0 version, support hand-free mode
- Built in Lithium battery: 3.7V, 550mAh
- Charging Voltage: 5V
- Speaker 40mm 4* 5W
- Frequency 60hz – 18khz
- Distortion: <0.5%
- Size: 67x70mm/205mm (with tail)
- Effective Distance: 10m (without any obstacle)
- Waterproof Grade: IPX7.

Product Maintenance

Whilst our Oz Trampolines Sound Bounce is weatherproof, we do not recommend placing it in water. Please ensure the base options are securely attached so that water does not leak through.

The Sound Bounce should avoid exposure to corrosive liquids and gas and high temperatures and humidity.

The Sound Bounce can be cleaned using a soft cloth or wiped down with a damp cloth.

Troubleshooting

Problem	How to solve
When charging the speaker, the red LED indicator is not on.	Check whether the USB cable is connected correctly. Also check the power supply is working.
Bluetooth speaker blue LED indicator is not shining	Please charge the battery.
The blue LED indicator is shining but no sound is coming out.	Check whether the sound bounce is connected properly in the setting section to the device. Check the sound volume is turned up.
The bluetooth device cannot find the Oz Trampolines Sound Bounce speaker.	Check the distance between the device and the speaker is less than 10 metres. Check that the Sound Bounce is turned on.

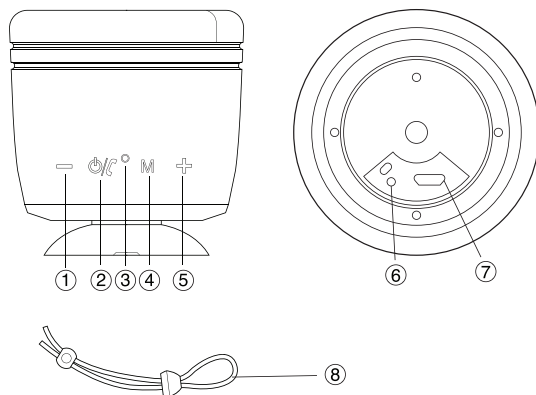
Warranty

The product warranty is 1 year and begins upon purchase.

Warranty Exclusions:

- Any type of modification or attempt to repair the unit that is not carried out by a technician authorized by the manufacturer.
- Malfunction of unit due to moisture, humidity or any type of liquid.
- Malfunction due to drop, abuse or mistreatment of item.
- Malfunction due to connection to a power source other than USB 5v*0.5v.

Product Diagram



1. Play previous song (Short time pressing).
Turn volume down (Long time pressing).
2. Play/Pause (Short time pressing).
Power On/Off (Long time pressing).
3. Blue LED.
4. Mode key, pair with Bluetooth device.
5. Play next song (Short time pressing).
Turn volume up (Long time pressing).
6. Reset hole/button.
7. USB port.
8. Elastic attachment to hang speaker.



TRAMPOLINE
SOUNDBOUNCE



OZ Trampolines .com.au

www.oztrampolines.com.au